

# STACKING KIT(GAS) INSTALLATION INSTRUCTIONS (MAH6700 washer & MDG6700 dryer only)

## GAS REQUIREMENTS

Use only Natural or LP (liquid petroleum) gases.

THE INSTALLATION MUST COMFORM WITH LOCAL CODES, OR IN THE ABSENCE OF LOCAL CODES, WITH THE NATIONAL FUEL GAS CODE ANSI/Z223.1, LATEST REVISION (FOR THE UNITED STATES), OR WITH THE CAN/CGA-B149 INSTALLATION CODES (FOR CANADA).

A gas dryer is equipped with a burner orifice for operation on NATURAL gas. **If the dryer is to be operated on LP gas, it must be converted for safe and proper performance and must be converted by a qualified service technician.**

Gas conversion kits from LP-to-natural or natural-to-LP are available and are to be installed by a qualified service technician.

Each dryer will provide an input of 22,000 B.T.U. per hour.

A 1/2 inch gas supply line is recommended and must be reduced to connect to the 3/8 inch gas line on the dryer.

The National Fuel Gas Code requires that an accessible, approved manual gas shut off valve be installed within 6 feet of the dryer.

Additionally, a 1/8 inch N.P.T. (National Pipe Thread) plugged tapping, accessible for test gauge connection, must be installed immediately upstream of the gas supply connection to the dryer.

The dryer must be disconnected from the gas supply piping system during any pressure testing of the system.

The Flexing Gas Connector supplied with this kit must be used for this installation. In all applications with the dryer stacked on a washer, the Maytag Flexing Gas Line Connector(p/n34001465) must be used.

Failure to comply may result in gas line failure or gas leaks.

**NOTE :** Any pipe joint compound used must be resistant to the action of any liquified petroleum gas.

**GAS IGNITION-** The dryer uses an automatic ignition system to ignite the burner. **There is no constant burning pilot.**

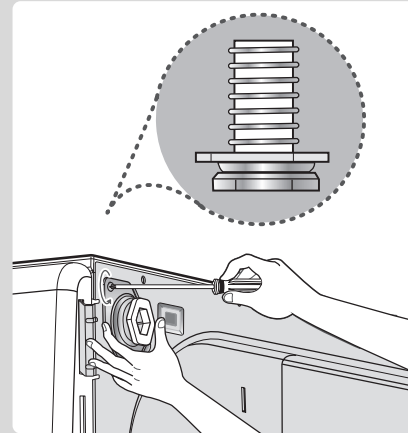


**Caution :** Two people are required to lift the dryer on to the washer.

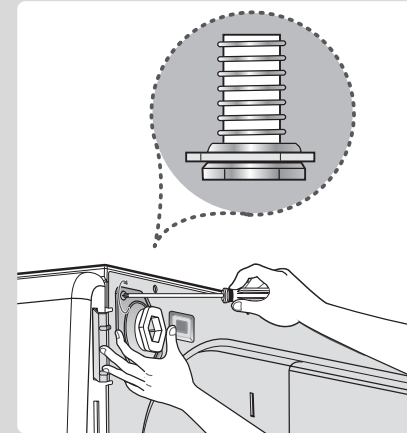
## Dryer

**Step 1:** Place cover (cloth, cardboard, or carpeting) on floor surface to avoid damage.

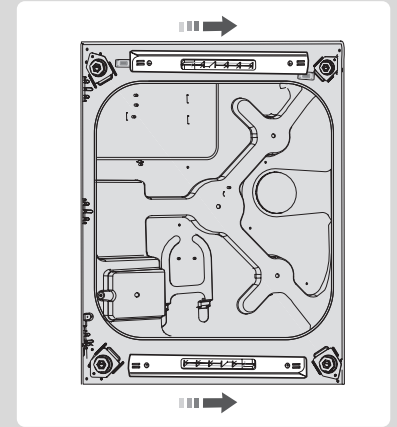
**Step 2:** Lay the dryer on its side (not front or back).



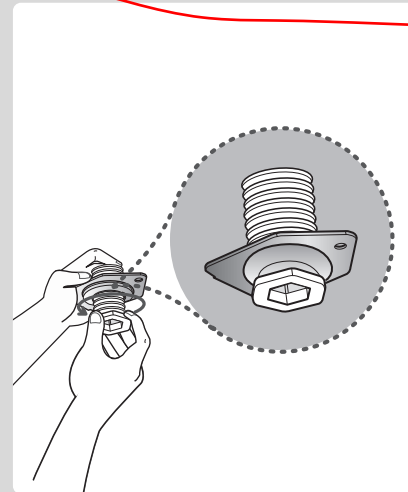
**Step 3:** Unscrew and disassemble the four leg assemblies.



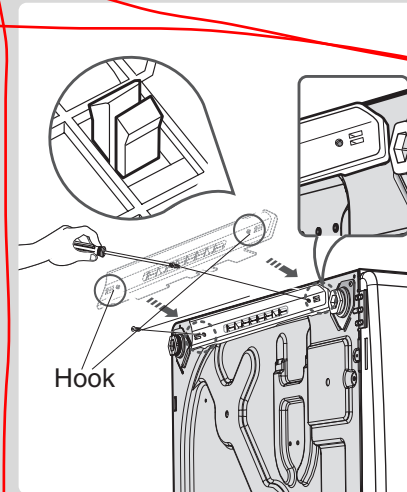
**Step 5:** Reassemble each leg and bracket into the dryer base.



**Step 7:** Bottom view of the dryer after assembling the Stacking Support Guides to the dryer base.



**Step 4:** Disassemble each leg from the bracket. Then flip the bracket over and remount onto the leg.



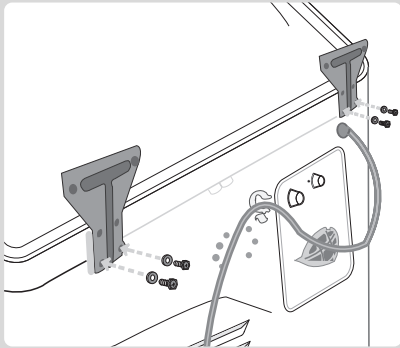
**Step 6:** Snap the Stacking Support Guides into the rectangular holes in the dryer base and secure each with two(2) Screws Phillips-pan head(6006-001174).

Needed vertical lines between each column to guide the eyes to follow the steps outlined.

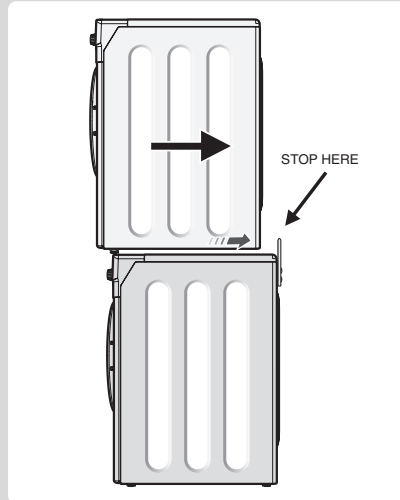
Otherwise, your eyes still wonder around the page looking for the next step. We call them "column guides" in Publications.

# STACKING KIT(GAS) INSTALLATION INSTRUCTIONS (MAH6700 washer & MDG6700 dryer only)

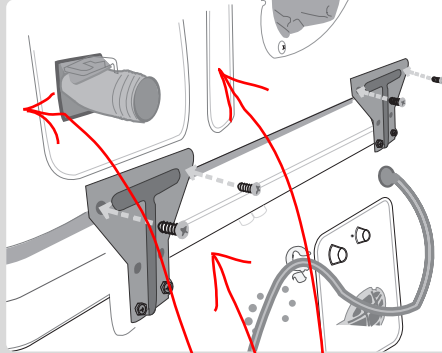
## Washer



**Step8 :** Assemble the Rear Brackets to the washer as shown above. Use two(2) Screws-Hex Head(34001382) with washers in each washing machine top cover tang if there are two holes. Use one(1) Screw-Hex Head(34001382) with washer in each top cover tang if there is one hole.



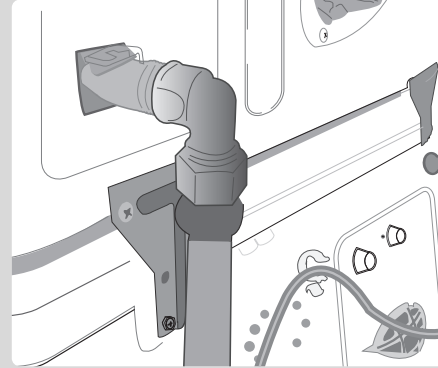
**Step 9:** Lift and position dryer into the position on the washer shown.



**Step10 :** Assemble the Rear Brackets to the dryer as shown above. Note that four screws must be used to hold the Rear Brackets to the back of the dryer. Use four(4) Screws-phillips Pan Head(6006-001174) in the back of the dryer cabinet. Extra screws are included in the kit for this.

Note: When Rear Brackets are assembled to the stacked units, attach the Flexing Hose Use Warning Label(35001251). The label must be placed as close as possible to the dryer gas inlet pipe.

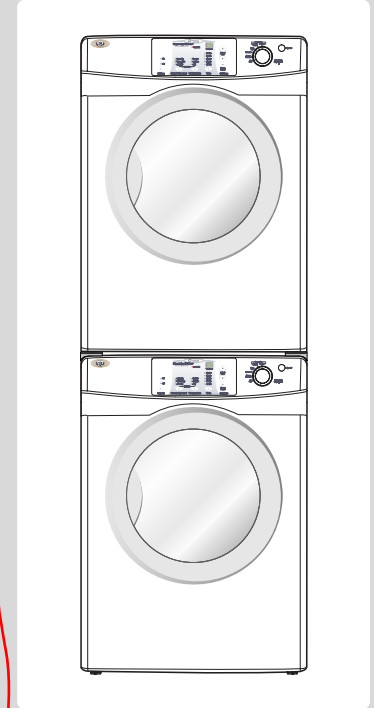
Where exactly does this label go?? Here?



**Step11 :** Before the stacked unit is pushed into the installed position, the Maytag Flexing Gas Connector(34001465) must be installed on the dryer gas inlet pipe. Attach the 90° elbow of the Flexing Gas Connector to the dryer gas inlet pipe using proper gas sealing materials, such as Teflon® tape, etc. Elbow connection must be gas-tight

**Step12 :** Connect the other end of the Maytag Flexing Gas Connector(34001465) to the house-supply outlet pipe for the dryer, using proper gas sealing materials, such as Teflon® tape, etc. **Leak-test both connections before proceeding further.**

Where is the drawing for the guides?



**Step 13:** Stacked Unit is now ready to be installed. Refer to detailed installation instructions packed with products.

### STACKING KIT COMPONENTS:

|                                 |           |                             |              |
|---------------------------------|-----------|-----------------------------|--------------|
| Stacking Support Guides(2)      | -34001449 | Screws Phillips-Pan Head(8) | -6006-001174 |
| Rear Bracket(2)                 | -34001463 | Washer(4)                   |              |
| Maytag Flexing Gas Connector(1) | -34001465 | Label Warning(1)            | -35001251    |
| Screws-Hex Head(4)              | -34001382 |                             |              |

Should these screws be illustrated?



Rear Bracket



Maytag Flexing Gas Connector